



Republic of the Philippines
Department of Education
CORDILLERA ADMINISTRATIVE REGION

BID BULLETIN No. 1
DEPED-CAR RO - CB 2023 - 11 - 018

TO : BAC Members, TWG & BAC Secretariat
All Interested Bidders
All Concerned

FROM : 
RONALD B. CASTILLO, CESO V
BAC chairperson

PROJECT : **SUPPLY, DOOR-TO-DOOR DELIVERY, AND ASSEMBLY OF SCHOOL FURNITURE TO VARIOUS SCHOOLS IN CORDILLERA ADMINISTRATIVE REGION (CAR) UNDER CY 2023 SCHOOL FURNITURE PROGRAM**

DATE : November 30, 2023

Project Identification Number: DEPED-CAR RO - CB 2023 - 11 - 018

For the information of all interested bidders and all concerned are the following:

1. Addendum in Section VII and Annex B, Technical Specifications and Design. (See attached)

PU/2023/CB/009.1/BCMjr/rkl



Address: DepEd-CAR Complex, Wangal, La Trinidad, Benguet, 2601

Telephone No: (074) 422 - 1318

Email Address: car@deped.gov.ph



DepEd Tayo Cordillera



<https://depedcar.ph>

TECHNICAL SPECIFICATIONS OF SCIENCE LABORATORY TABLE

| MARK | COMPONENT | SPECIFICATIONS |
|------|-----------------------------|---|
| A | TABLE TOP | 18mm THK TOP BOARD (0.9mm THK HIGH PRESSURE LAMINATE ON MARINE PLYWOOD) W/ WHITE RUBBERIZED PAINT EDGING - ROUND CORNERS |
| B | SHELF | 18mm THK BOARD (0.9mm THK HIGH PRESSURE LAMINATE ON MARINE PLYWOOD) W/ WHITE RUBBERIZED PAINT EDGING - ROUND CORNERS (SHELF DIMENSIONS: 300mmx1700mm) |
| C | LEG | 1.0mm THK x 50mm x 50mm STEEL TUBULAR |
| D | LEG BRACE | 1.0mm THK x 50mm x 50mm STEEL TUBULAR |
| E | SHELF FRAME (MAIN) | 1.0mm THK x 50mm x 50mm STEEL TUBULAR |
| F | SHELF FRAME (SECONDARY) | 1.0mm THK x 25mm x 25mm STEEL TUBULAR |
| G | FOOT/LEG END CAP | HARD PLASTIC (BLACK) |
| | TABLE TOP FRAME (MAIN) | 1.0mm THK x 50mm x 50mm STEEL TUBULAR |
| | TABLE TOP FRAME (SECONDARY) | 1.0mm THK x 25mm x 25mm STEEL TUBULAR |
| | FASTENER | 1mm THK x 25mm x 50mm STEEL FLAT BAR - FOR TABLE TOP: 12 PCS; FOR SHELF: 8 PCS |
| | FINISH | REFER TO SCHEDULE OF FINISHES |
| | CONNECTION | WOOD TO STEEL: M6 E-NUT: 6mm THREAD x 12mm OVERALL LENGTH; SCREWS (REFER TO DETAILS FOR WOOD TO STEEL CONNECTION) STEEL TO STEEL: - FULL WELDING FOR TUBULAR TO TUBULAR CONNECTIONS - ADEQUATE WELDING FOR TUBULAR TO FLAT BAR CONNECTIONS |

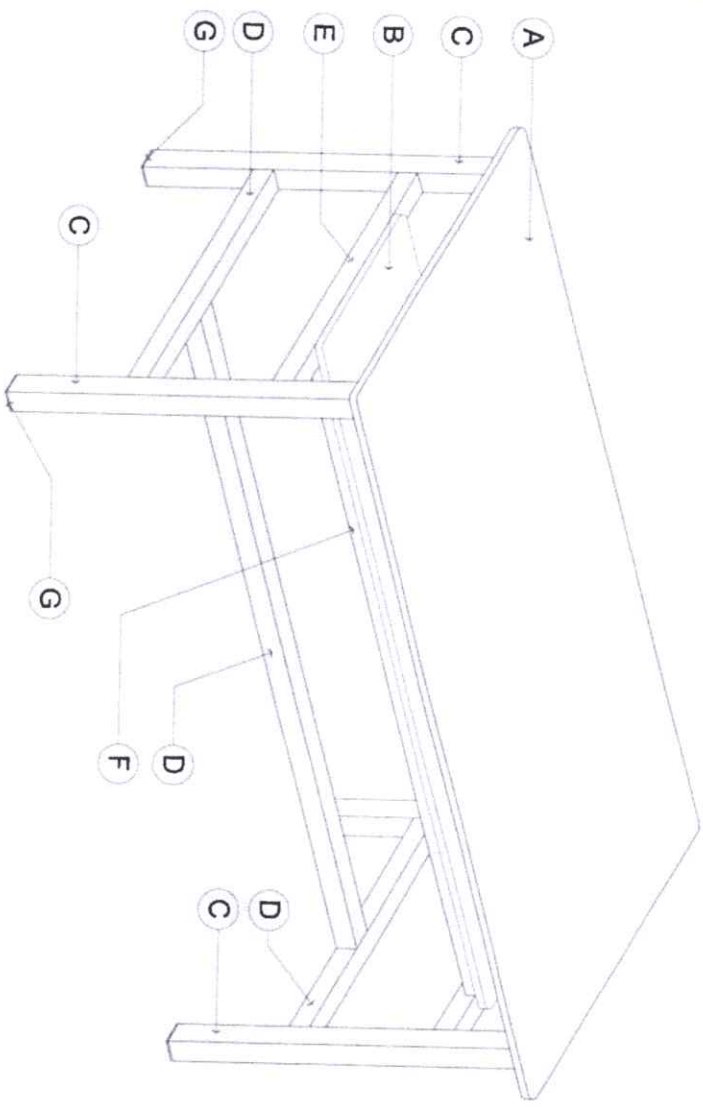
SCHEDULE OF FINISHES

| | |
|----------------------|--|
| TABLE TOP & SHELF | 0.9mm THK WHITE HIGH PRESSURE LAMINATE ON MARINE PLYWOOD W/ PAINTED EDGING |
| METAL / STEEL | ALL SURFACE SHALL BE POWDER COATED (BLACK); GLOSSY FINISH |
| LAMINATE COLOR | WHITE, GLOSSY |
| EDGING - APPLICATION | |
| 1 | APPLY WOOD PUTTY EVENLY |
| 2 | SMOOTHEN SURFACE BY SANDING |
| 3 | APPLY AT LEAST THREE (3) COATS OF RUBBERIZED PAINT (GLOSSY) |

DIMENSIONS OF SCIENCE LABORATORY TABLE (+10mm)

| COMPONENT | DIMENSION | COMPONENT | DIMENSION |
|--------------|-----------|------------------|-----------|
| TABLE HEIGHT | 900 | TABLE WIDTH | 800 |
| TABLE LENGTH | 1800 | LEG BRACE HEIGHT | 300 |

NOTES:
WOOD GULIE SHALL BE APPLIED BEFORE INSERTING E-NUT INTO THE PLYWOOD CORNERS OF TABLE TOP & SHELF MUST BE ROUNDED



ISOMETRIC VIEW
1 SCIENCE LABORATORY TABLE
1 SCALE



DESIGN BY:
JET RIMOND G. ALARSO
ARCHITECT

RECOMMENDING APPROVAL:
ENR. ANTHONY M. ...
CER - COL of ARCHITECTS DIVISION

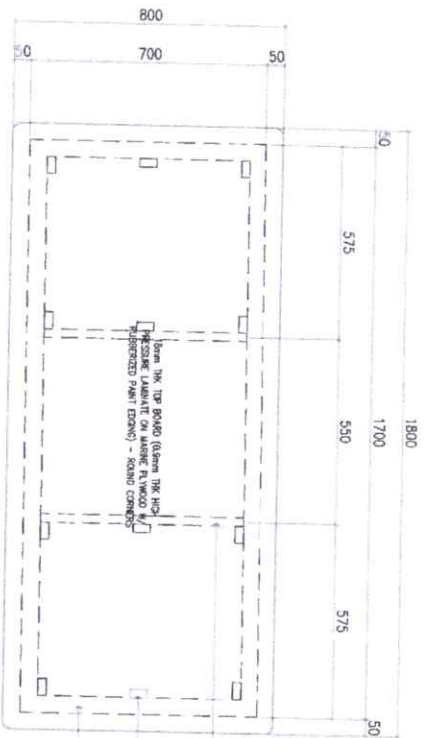
APPROVED BY:
...
Under Secretary for Social Infrastructure and Assets

CONCEIVED BY:
...
Under Secretary for Curriculum and Teaching

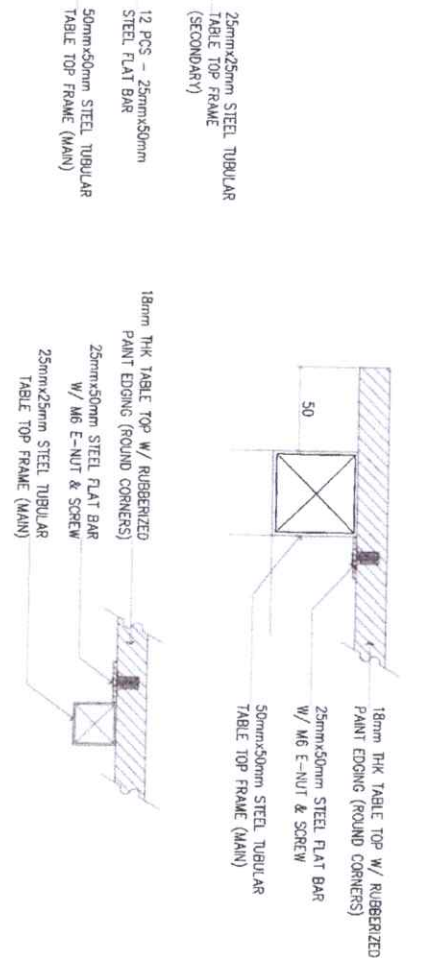
PROJECT TITLE:
SCIENCE LABORATORY TABLE
(WOOD & STEEL)

SHEET CONTENTS:
TECHNICAL SPECIFICATIONS
SCHEDULE OF FINISHES
DIMENSIONS
ISOMETRIC VIEW

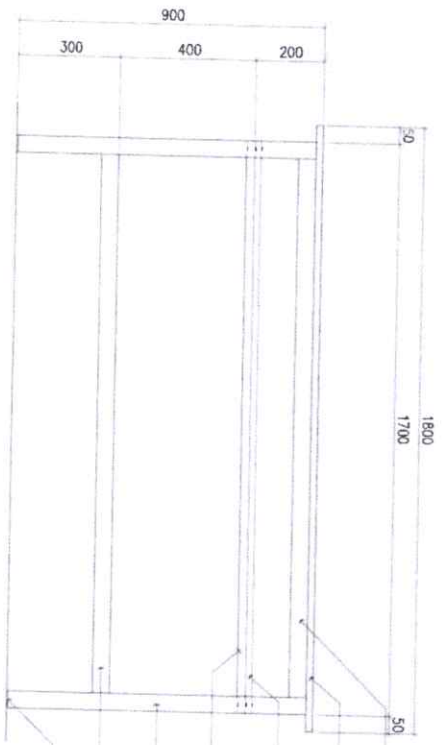
SHEET NO.
1
3



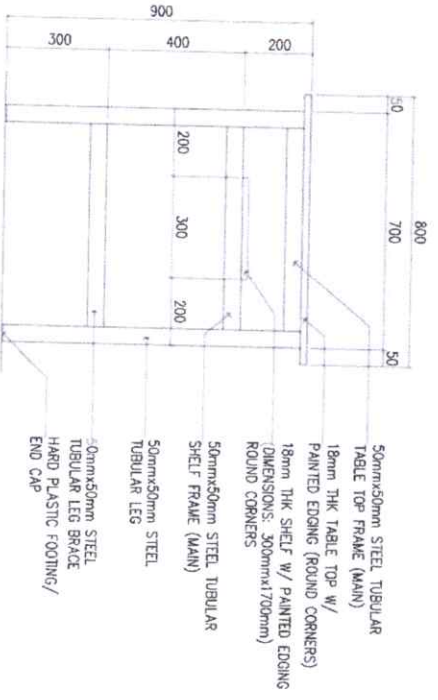
1 PLAN
SCALE 1 : 50 M



3 FRAME/FLAT BAR BOARD
CONNECTION DETAILS
SCALE 1 : 50 M



2 FRONT/REAR ELEVATION
SCALE 1 : 50 M



4 SIDE ELEVATION (TYPICAL)
SCALE 1 : 50 M

- 50mmx50mm STEEL TUBULAR TABLE TOP FRAME (MAIN)
- 18mm THK TABLE TOP W/ PAINTED EDGING (ROUND CORNERS)
- 18mm THK SHELF W/ PAINTED EDGING (DIMENSIONS: 300mmx1700mm)
- 25mmx25mm STEEL TUBULAR SHELF FRAME (SECONDARY)
- 50mmx50mm STEEL TUBULAR LEG
- 50mmx50mm STEEL TUBULAR LEG BRACE
- HARD PLASTIC FOOTING/ END CAP

- 50mmx50mm STEEL TUBULAR TABLE TOP FRAME (MAIN)
- 18mm THK TABLE TOP W/ PAINTED EDGING (ROUND CORNERS)
- 18mm THK SHELF W/ PAINTED EDGING (DIMENSIONS: 300mmx1700mm)
- 50mmx50mm STEEL TUBULAR SHELF FRAME (MAIN)
- 50mmx50mm STEEL TUBULAR LEGS
- 50mmx50mm STEEL TUBULAR LEG BRACE
- HARD PLASTIC FOOTING/ END CAP



APPROVED BY: *[Signature]*
ARCHITECT

APPROVED BY: *[Signature]*
ENR. - CIVIL
CHIEF - CIVIL ENGINEERING DIVISION

APPROVED BY: *[Signature]*
SUPERVISOR FOR SCHOOL INFRASTRUCTURE DIVISION

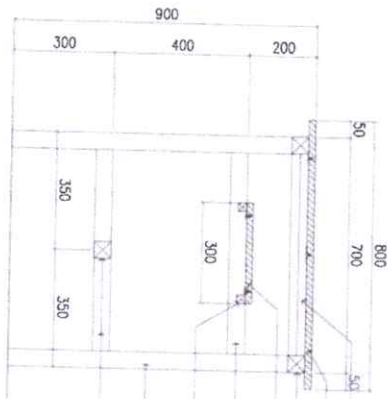
APPROVED BY: *[Signature]*
CHIEF ENGINEER
SUPERVISOR FOR DESIGN AND TESTING

PROJECT TITLE:
SCIENCE LABORATORY TABLE (WOOD & STEEL)

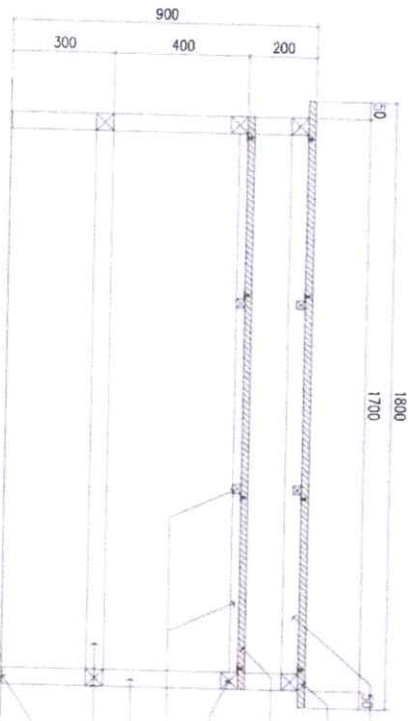
SHEET CONTENTS:
PLAN ELEVATIONS CONNECTION DETAIL

SHEET NO:
2

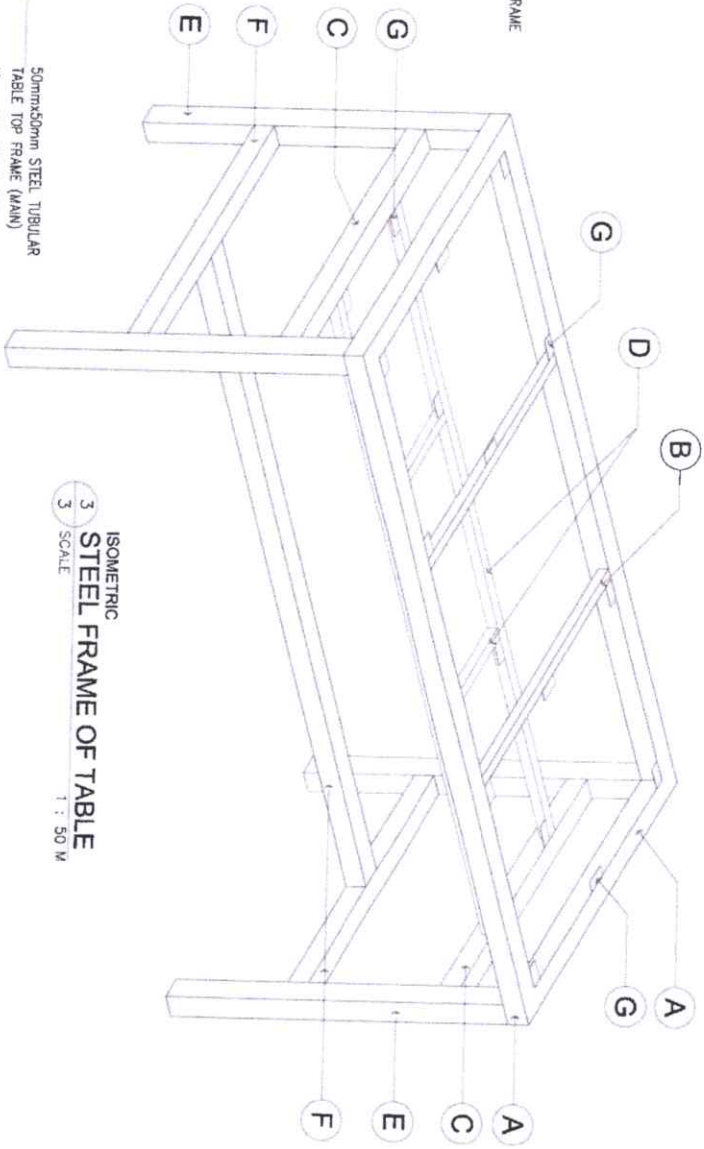
SHEET NO:
3



1 CROSS SECTION
3 SCALE
1 : 50 M



2 LONGITUDINAL SECTION
3 SCALE
1 : 50 M



3 ISOMETRIC STEEL FRAME OF TABLE
3 SCALE
1 : 50 M

TECHNICAL SPECIFICATIONS OF STEEL COMPONENTS

| MARK | COMPONENT | SPECIFICATIONS |
|------|-----------------------------|--|
| A | TABLE TOP FRAME (MAIN) | 1.0mm THK x 50mm x 50mm STEEL TUBULAR |
| B | TABLE TOP FRAME (SECONDARY) | 1.0mm THK x 25mm x 25mm STEEL TUBULAR |
| C | SHELF FRAME (MAIN) | 1.0mm THK x 50mm x 50mm STEEL TUBULAR |
| D | SHELF FRAME (SECONDARY) | 1.0mm THK x 25mm x 25mm STEEL TUBULAR |
| E | LEG | 1.0mm THK x 50mm x 50mm STEEL TUBULAR |
| F | LEG BRACE | 1.0mm THK x 50mm x 50mm STEEL TUBULAR |
| G | PASTERNER / CONNECTOR | 1.0mm THK x 25mm x 50mm STEEL FLAT BAR (FOR TABLE TOP- 12 PCS, FOR SHELF- 8 PCS) |
| | FINISH | POWDER COATED, GLOSSY BLACK |



DEPED
DIVISION OFFICE - CAGAYAN DE ORO
REGIONAL CENTER

DESIGNED BY :
ENR. C. ALBANO
ARCHITECT

APPROVED BY :
ENR. C. ALBANO
CHIEF - ARCHITECT

APPROVED BY :
ENR. C. ALBANO
UNDERSECRETARY FOR School Infrastructure and Facilities

CONFERRED BY :
ENR. C. ALBANO
UNDERSECRETARY FOR Production and Testing

PROJECT TITLE :
SCIENCE LABORATORY TABLE
(WOOD & STEEL)

SHEET CONTENTS :
SCHEMATIC, STEEL FRAME OF TABLE
TECHNICAL SPECIFICATIONS OF STEEL COMPONENTS

SHEET NO.
3

3

TECHNICAL SPECIFICATIONS OF SCIENCE LABORATORY STOOL

COMPONENT SPECIFICATIONS

| COMPONENT | SPECIFICATIONS |
|------------------|---|
| SEAT | 18mm THK SOLID WOOD BOARD, SMOOTH PAINT FINISH |
| LEG | 22mm \varnothing B.I. PIPE |
| LEG BRACE | 22mm \varnothing B.I. PIPE |
| SEAT SUPPORT | 1.5mm THK x 25mm x 25mm STEEL ANGLE BAR |
| FOOT/LEG END CAP | HARD PLASTIC (BLACK) |
| FINISH | REFER TO SCHEDULE OF FINISHES |
| CONNECTION | WOOD TO STEEL: M6 E-NUT: 6mm \varnothing THREAD x 12mm OVERALL LENGTH; SCREWS (REFER TO DETAILS FOR WOOD TO STEEL CONNECTION) STEEL TO STEEL: -FULL WELDING FOR BI PIPE TO BI PIPE CONNECTIONS -FULL WELDING FOR BI PIPE TO ANGLE BAR CONNECTIONS |

SCHEDULE OF FINISHES

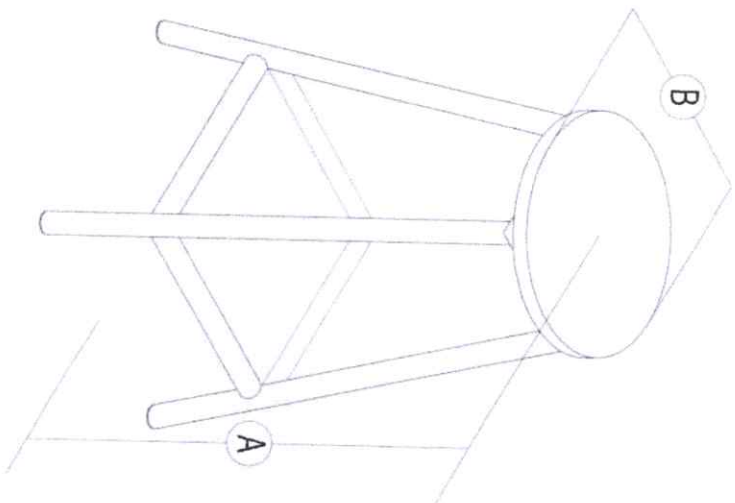
| | |
|---------------|---|
| SEAT | PAINT FINISH (REFER TO PAINT APPLICATION) |
| METAL / STEEL | ALL SURFACE SHALL BE POWDER COATED (BLACK); GLOSSY FINISH |

PAINTING APPLICATION / SCHEDULE

| | |
|----------------|---|
| SANDING | ALL SURFACE TO BE COATED SHALL BE SMOOTHLY SANDED |
| 1ST COAT | FLATWALL ENAMEL |
| 2ND & 3RD COAT | WHITE QUICK-DRY ENAMEL, GLOSSY |

DIMENSIONS OF SCIENCE LABORATORY STOOL (+10mm)

| MARK | COMPONENT | DIMENSION |
|------|-------------|-------------------|
| A | SEAT HEIGHT | 650 |
| B | SEAT WIDTH | 300 \varnothing |



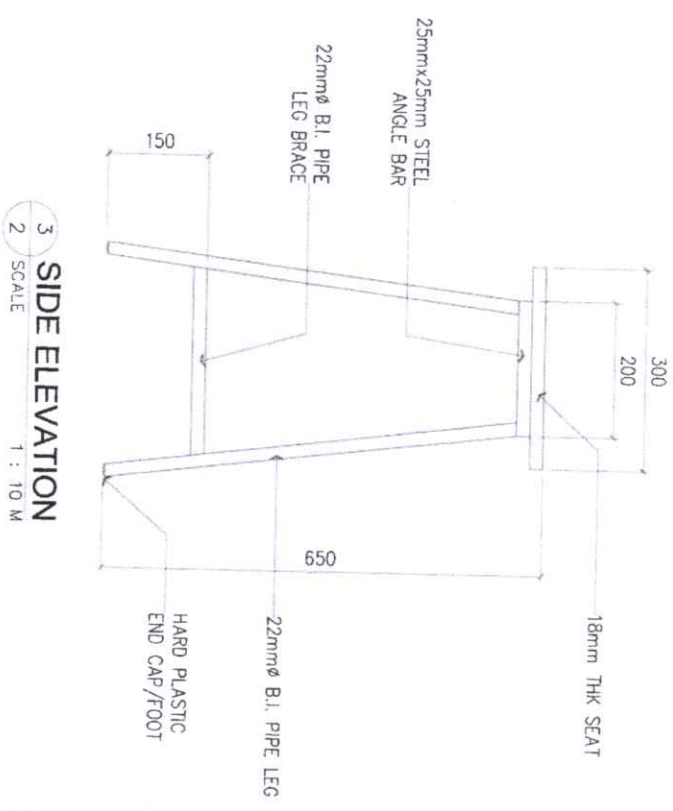
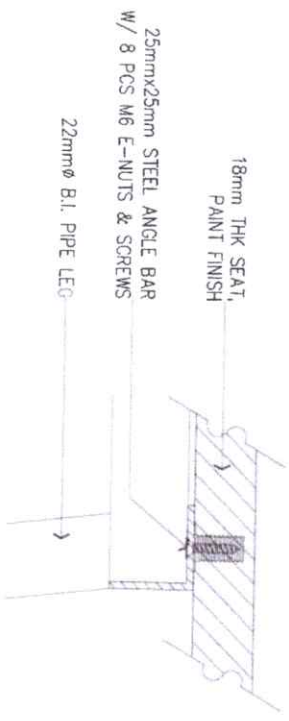
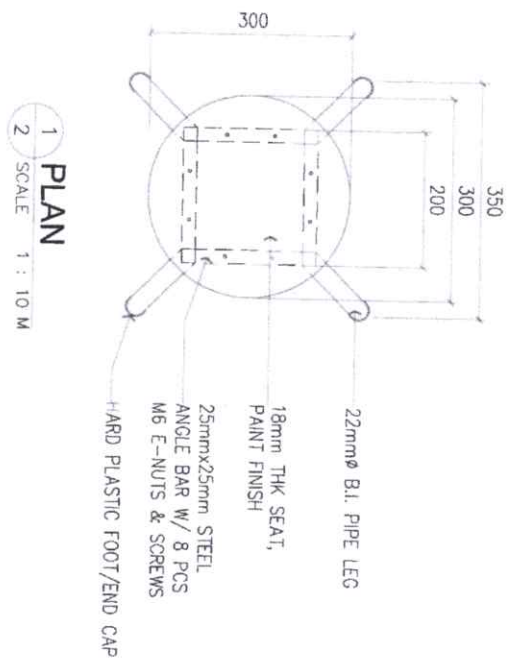
1 ISOMETRIC VIEW
1 SCALE - M

| | | | | | | | |
|--|---|--|--|---|--|---|---------------------|
|  REPUBLIC OF THE PHILIPPINES DEPARTMENT OF EDUCATION EDUCATIONAL FACILITIES DIVISION REGIONAL OFFICE - CALABARZON | DRAWN BY:  ARCHITECT | SECOND HAND APPROVAL:  ENGINEER | APPROVED BY:  SCHOOL HEAD | CONCURRED BY:  DIVISION OFFICE | PROJECT TITLE: SCIENCE LABORATORY STOOL (WOOD & STEEL) | SHEET CONTENTS: TECHNICAL SPECIFICATIONS SCHEDULE OF FINISHES DIMENSIONS ISOMETRIC VIEW | SHEET NO. 1 2 |
| | DIVISION OFFICE - CALABARZON | | | | | | |



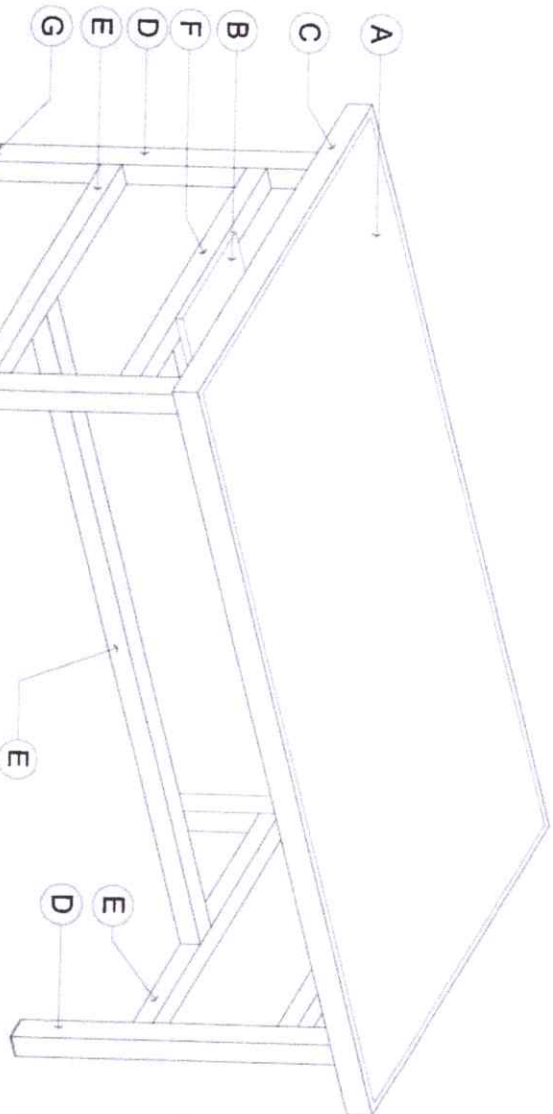
REPUBLIC OF SOUTH AFRICA
DePED
 DEPARTMENT OF EDUCATION
 WESTERN CAPE
 MANUEL AVENUE, CAPE TOWN

| | | | | | | |
|-------------------------|---|---|---|--|--|----------------|
| DESIGN BY: ARCHITECT | REVIEW AND APPROVAL: CHIEF ARCHITECT | APPROVED BY: UNIVERSITY OF CAPE TOWN | CONDUCTED BY: GMA O. JOHNSON Instructor for Construction and Building | PROJECT TITLE: SCIENCE LABORATORY STOOL (WOOD & STEEL) | SHEET CONTENTS: PLAN SIDE ELEVATION CONNECTION DETAIL | SHEET NO. 2 |
|-------------------------|---|---|---|--|--|----------------|



TECHNICAL SPECIFICATIONS OF WORKSHOP TABLE

| MARK | COMPONENT | SPECIFICATIONS |
|------|-----------------------------|--|
| A | TABLE TOP | 18mm THK TOP BOARD (MARINE PLYWOOD, PAINT FINISH) W/ SOLID WOOD EDGING |
| B | SHELF | 18mm THK TOP BOARD (MARINE PLYWOOD, PAINT FINISH) W/ 6mm THK SOLID WOOD EDGING |
| C | TABLE TOP EDGING | 20mm THK x 75mm SOLID WOOD EDGING |
| D | LEG | 1.0mm THK x 50mm x 50mm STEEL TUBULAR |
| E | LEG BRACE | 1.0mm THK x 50mm x 50mm STEEL TUBULAR |
| F | SHELF FRAME (MAIN) | 1.0mm THK x 50mm x 50mm STEEL TUBULAR |
| G | FOOT/LEG END CAP | HARD PLASTIC (BLACK) |
| | SHELF FRAME (SECONDARY) | 1.0mm THK x 25mm x 25mm STEEL TUBULAR |
| | TABLE TOP FRAME (MAIN) | 1.0mm THK x 50mm x 50mm STEEL TUBULAR |
| | TABLE TOP FRAME (SECONDARY) | 1.0mm THK x 25mm x 25mm STEEL TUBULAR |
| | FASTENER | 1mm THK x 50mm x 50mm STEEL ANGLE BAR (FOR TABLE TOP EDGING) -WOOD SCREW FOR TABLE TOP EDGING: 5 PCS @ LONGER SIDE & 3 PCS @ SHORTER SIDE W/ EQUAL SPACING 1mm THK x 25mm x 50mm STEEL FLAT BAR -FOR TABLE TOP: 12 PCS; FOR SHELF: 8 PCS |
| | FINISH | REFER TO SCHEDULE OF FINISHES |
| | CONNECTION | WOOD TO STEEL: M6 E-NUT: 6mm @ 12mm OVERALL LENGTH; SCREWS (REFER TO DETAILS FOR WOOD TO STEEL CONNECTION) STEEL TO STEEL: -FULL WELDING FOR TUBULAR TO TUBULAR CONNECTIONS -ADEQUATE WELDING FOR TUBULAR TO ANGLE BAR/FLAT BAR CONNECTIONS |



1 ISOMETRIC VIEW - WORKSHOP TABLE
1 SCALE

SCHEDULE OF FINISHES

| | |
|--------------------------|---|
| TABLE TOP & SHELF EDGING | SMOOTH PAINT FINISH (REFER TO PAINTING SCHEDULE) |
| METAL / STEEL | SMOOTH PAINT FINISH (REFER TO PAINTING SCHEDULE) |
| | ALL SURFACE SHALL BE POWDER COATED (BLACK); GLOSSY FINISH |

PAINTING SCHEDULE

| | |
|-------------------|--|
| SANDING | ALL SURFACE TO BE COATED SHALL BE SMOOTHLY SANDED |
| 1ST COAT | PANTONE 729C OR COLOR HEX #B07C45 / RGB 186, 124, 69 / CMYK 0%, 33%, 63%, 27% WITH WOOD GRAIN (SERANO BEECH OR EQUIVALENT) |
| INTERMEDIATE COAT | LACQUER SANDING SEALER |
| TOP COAT | CLEAR GLOSS LACQUER (2 COATS) |

DIMENSIONS OF WORKSHOP TABLE (+10mm)

| COMPONENT | DIMENSION | COMPONENT | DIMENSION |
|--------------|-----------|------------------|-----------|
| TABLE HEIGHT | 900 | TABLE WIDTH | 800 |
| TABLE LENGTH | 1800 | LEG BRACE HEIGHT | 300 |

NOTES:
WOOD GLUE SHALL BE APPLIED BEFORE INSERTING E-NUT INTO THE PLYWOOD CORNERS OF WOOD EDGING MUST BE BEVELED

DEFTED
THE KENYAN DESIGNER
WOODWORKERS ASSOCIATION

DESIGNED BY: *[Signature]*

APPROVED BY: *[Signature]*

REVISIONS:

NO. 1: *[Signature]*

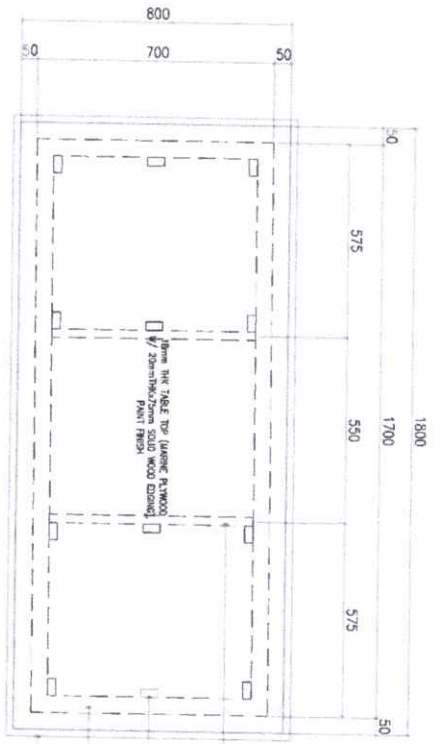
ASSIGNED BY: *[Signature]*

COMPLETED BY: *[Signature]*

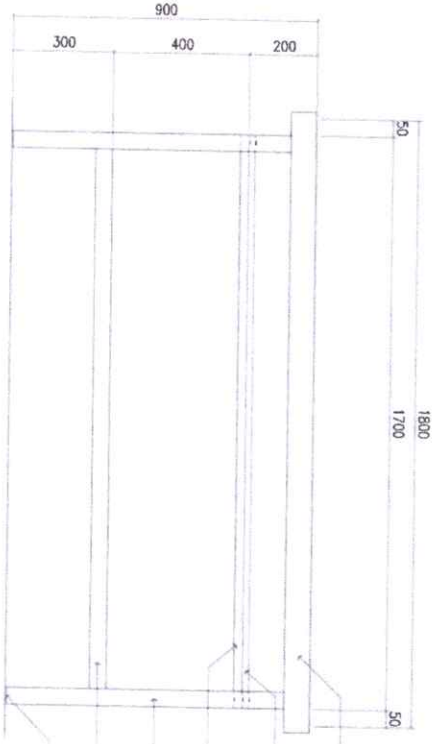
PROJECT TITLE:
**WORKSHOP TABLE
(WOOD & STEEL)**

SHEET COMMENTS:
TECHNICAL SPECIFICATIONS
SCHEDULE OF FINISHES
ISOMETRIC VIEW

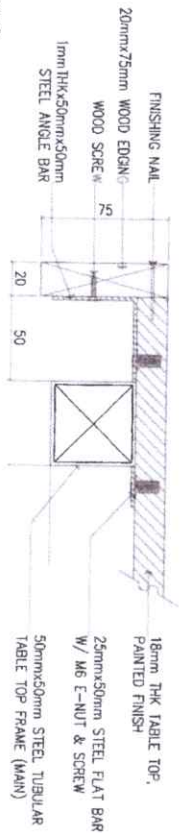
SHEET NO:
1
3



1 PLAN
SCALE 1 : 50 M



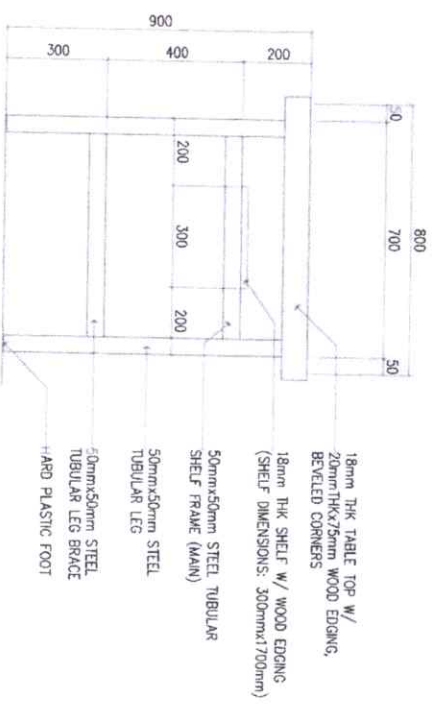
2 FRONT/REAR ELEVATION
SCALE 1 : 50 M



3 CONNECTION DETAILS
SCALE 1 : 50 M



4 CONNECTION DETAILS
SCALE 1 : 50 M



5 SIDE ELEVATION (TYPICAL)
SCALE 1 : 50 M

NOTES:
WOOD GLUE SHALL BE APPLIED BEFORE INSERTING E-NUT
CORNERS OF WOOD EDGING MUST BE BEVELED



DESIGN BY:
JULIA KAMRANI - ARCHITECT

RECOMMENDING APPROVAL:
ERIC M. JAMES - ARCHITECT

APPROVED BY:
[Signature]

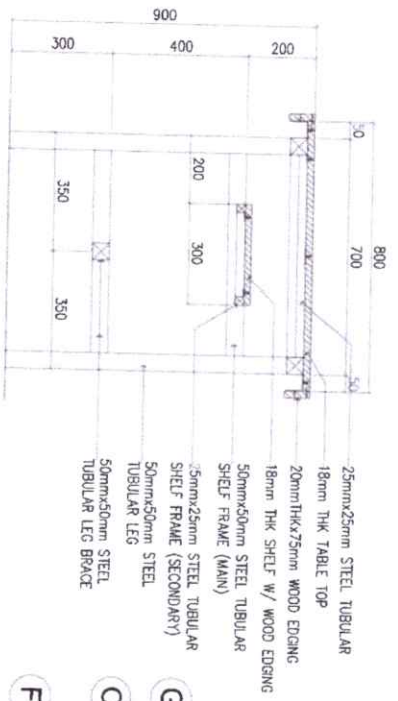
CHECKED BY:
[Signature]

PROJECT TITLE:
WORKSHOP TABLE
(WOOD & STEEL)

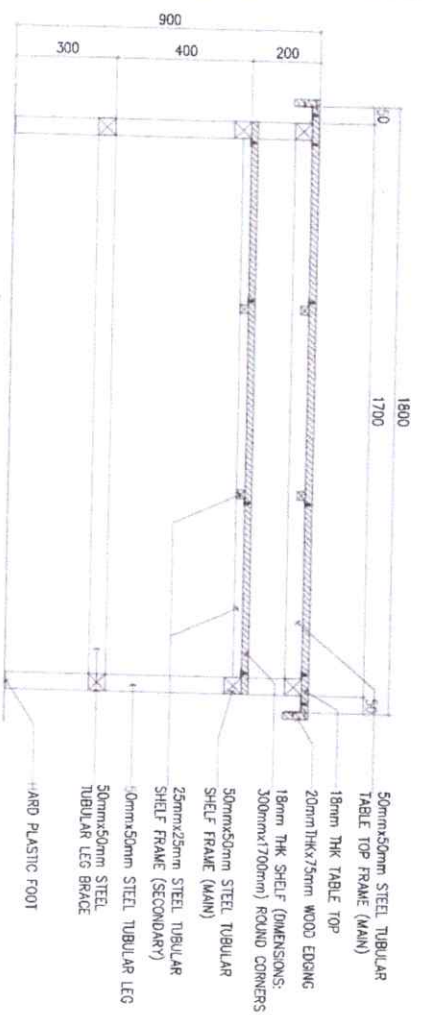
SHEET CONTENTS:
PLAN ELEVATIONS CONNECTION DETAIL

SHEET NO:
2

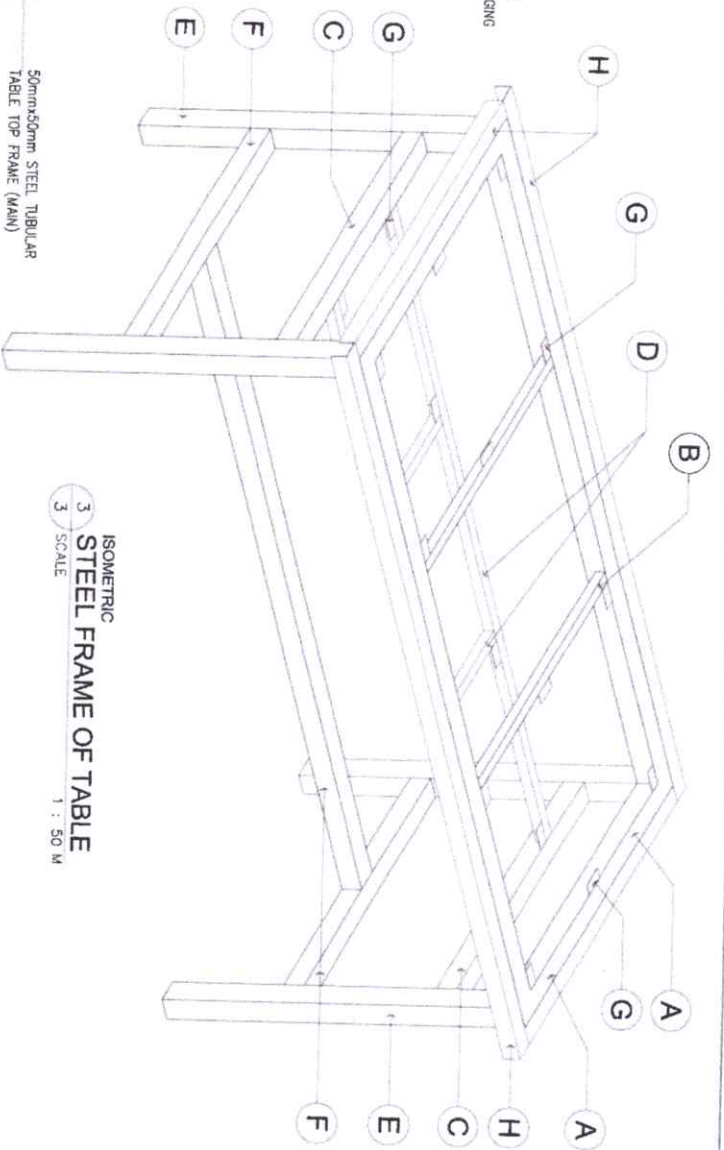
3



1 CROSS SECTION
SCALE 1 : 50 M



2 LONGITUDINAL SECTION
SCALE 1 : 50 M



3 ISOMETRIC STEEL FRAME OF TABLE
SCALE 1 : 50 M

TECHNICAL SPECIFICATIONS OF STEEL COMPONENTS

| MARK | COMPONENT | SPECIFICATIONS |
|--------|-----------------------------|--|
| A | TABLE TOP FRAME (MAIN) | 1.0mm THK x 50mm x 50mm STEEL TUBULAR |
| B | TABLE TOP FRAME (SECONDARY) | 1.0mm THK x 25mm x 25mm STEEL TUBULAR |
| C | SHELF FRAME (MAIN) | 1.0mm THK x 50mm x 50mm STEEL TUBULAR |
| D | SHELF FRAME (SECONDARY) | 1.0mm THK x 25mm x 25mm STEEL TUBULAR |
| E | LEG | 1.0mm THK x 50mm x 50mm STEEL TUBULAR |
| F | LEG BRACE | 1.0mm THK x 50mm x 50mm STEEL TUBULAR |
| G | FASTENER / CONNECTOR | 1.0mm THK x 25mm x 50mm STEEL FLAT BAR (FOR TABLE TOP - 12 PCS; FOR SHELF - 8 PCS) |
| H | TABLE TOP EDGING SUPPORT | 1mm THK x 50mm x 50mm STEEL ANGLE BAR |
| FINISH | | POWDER COATED, GLOSSY BLACK |

DESIGNED BY: *[Signature]*
DRAWN BY: *[Signature]*
CHECKED BY: *[Signature]*

RECOMMENDING APPROVAL: *[Signature]*
SUPERVISOR

APPROVED BY: *[Signature]*
SCHOOL DIVISION OFFICE - CALABARZON

CONFERRED BY: *[Signature]*
SUPERVISOR

PROJECT TITLE:
WORKSHOP TABLE (WOOD & STEEL)

SHEET NO.: **3**

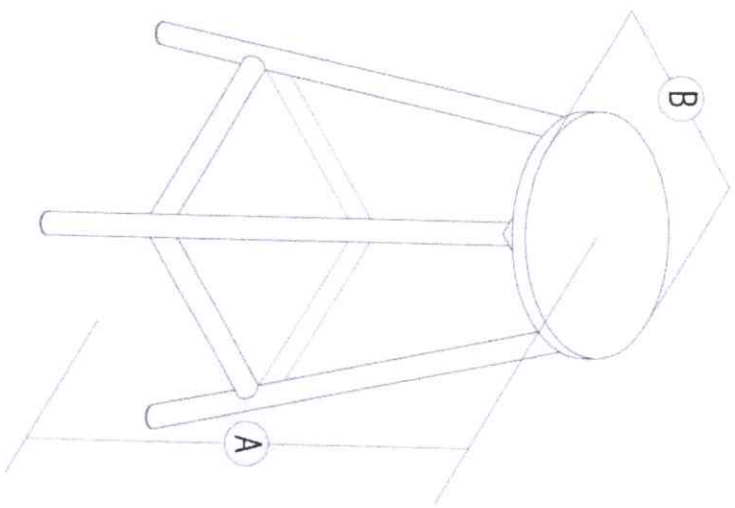
TECHNICAL SPECIFICATIONS OF WORKSHOP STOOL

| COMPONENT | SPECIFICATIONS |
|------------------|--|
| SEAT | 18mm THK SOLID WOOD BOARD, SMOOTH PAINT FINISH |
| LEG | 22mmØ B.I. PIPE |
| LEG BRACE | 22mmØ B.I. PIPE |
| SEAT SUPPORT | 1.5mm THK x 25mm x 25mm STEEL ANGLE BAR |
| FOOT/LEG END CAP | HARD PLASTIC (BLACK) |
| FINISH | REFER TO SCHEDULE OF FINISHES |
| CONNECTION | WOOD TO STEEL: M6 E-NUT: 6mmØ THREAD x 12mm OVERALL LENGTH; SCREWS (REFER TO DETAILS FOR WOOD TO STEEL CONNECTION) STEEL TO STEEL: -FULL WELDING FOR B1 PIPE TO B1 PIPE CONNECTIONS -FULL WELDING FOR B1 PIPE TO ANGLE BAR CONNECTIONS |

SCHEDULE OF FINISHES

| | |
|--|--|
| SEAT | SMOOTH PAINT FINISH (REFER TO PAINT SCHEDULE) |
| METAL / STEEL | ALL SURFACE SHALL BE POWDER COATED (BLACK): GLOSSY FINISH |
| PAINTING APPLICATION / SCHEDULE | |
| SANDING | ALL SURFACE TO BE COATED SHALL BE SMOOTHLY SANDED |
| 1ST COAT | PANTONE 729C OR COLOR HEX #b07c45 / R9B 186, 124, 69 / CMYK 0%, 33%, 63%, 27% WITH WOOD GRAIN (SERANO BEECH OR EQUIVALENT) |
| INTERMEDIATE COAT | LACQUER SANDING SEALER |
| TOP COAT | CLEAR GLOSS LACQUER (2 COATS) |

| DIMENSIONS OF WORKSHOP STOOL (+10mm) | |
|--------------------------------------|--------------------|
| MARK | DIMENSION |
| A | SEAT HEIGHT 650 |
| B | SEAT WIDTH 300Ø |



1
1
ISOMETRIC VIEW
SCALE
- M



DepEd
DIVISION OFFICE
SCHOOL DIVISION OFFICE
MUNICIPAL ELEMENTARY SCHOOL

DESIGNED BY: *[Signature]*
APPROVED BY: *[Signature]*

RECOMMENDING APPROVAL: *[Signature]*
ENGR. *[Signature]*
CHIEF, SCHOOL DIVISION OFFICE

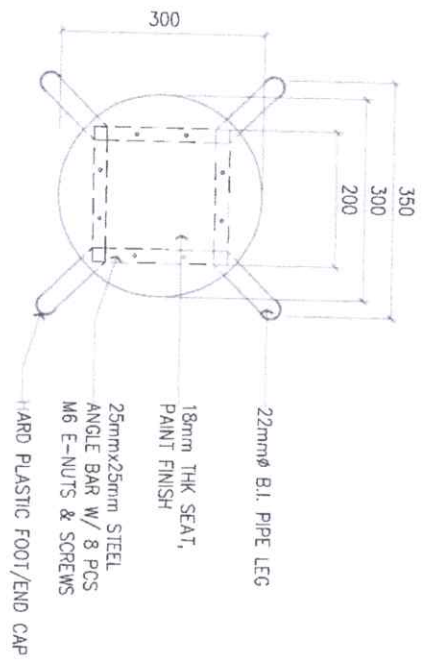
APPROVED BY: *[Signature]*
SUPERVISOR FOR SCHOOL INFRASTRUCTURE AND FACILITIES

CONFERRED BY: *[Signature]*
DR. D. GONZALEZ
SUPERVISOR FOR DESIGN AND FACILITIES

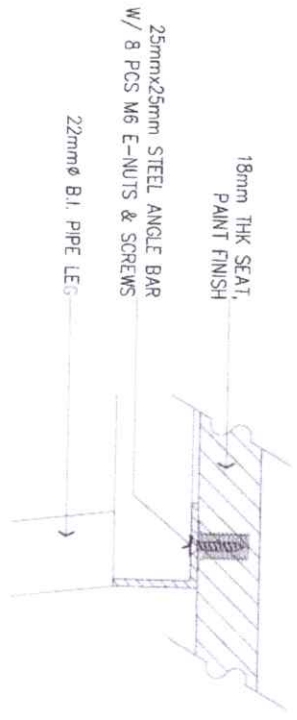
PROJECT TITLE:
**WORKSHOP STOOL
(WOOD & STEEL)**

SHEET CONTENTS:
TECHNICAL SPECIFICATIONS
DIMENSIONS
ISOMETRIC VIEW

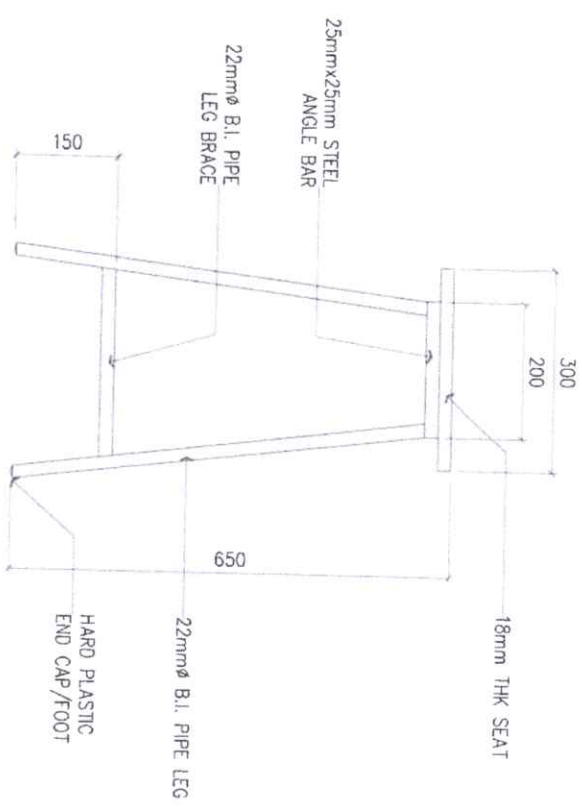
SHEET NO:
1



1 PLAN
SCALE 1 : 10 M



2 FRAME-SEAT CONNECTION DETAIL
SCALE 2 - M



3 SIDE ELEVATION
SCALE 1 : 10 M

DESIGNED BY:
J. J. TORRES
ARCHITECT

RECOMMENDING APPROVAL:
ENR. MARIE L. TORRES
ARCHITECT

APPROVED BY:
[Signature]
Undersecretary for School Infrastructure and Facilities

CONCLUDED BY:
GMA D. GONONG
Undersecretary for Facilities and Services

PROJECT TITLE:
WORKSHOP STOOL
(WOOD & STEEL)

SHEET CONTENTS:
PLAN
SIDE ELEVATION
CONNECTION DETAIL

SHEET NO:
2